

# INSTRUMENTATION LIMITED PALAKKAD

## OS & Y Valve

Model: V T T



Out Side Screw and Yoke Manual Globe Valve with Integral seat conform to API, ASME and BS Standards. Simple in construction and very stable in operation due to heavy top guiding. Rising Stem and Non Rising stem variants are available to meet customer process requirements.

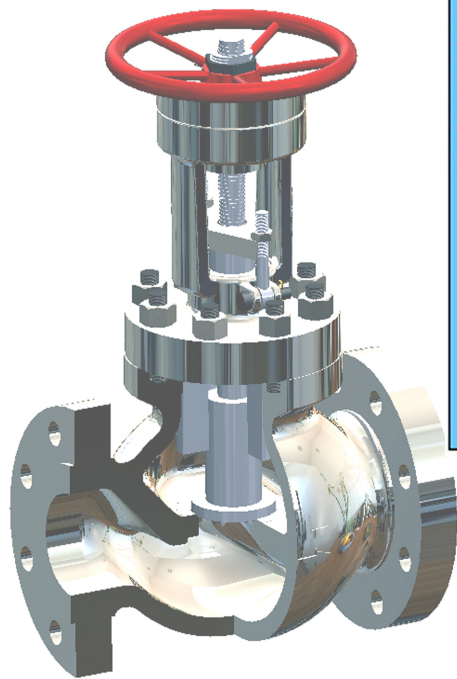


# INSTRUMENTATION LIMITED PALAKKAD

## OS & Y Valve

Model: V T T

SPECIFICATIONS	MODEL	VTT : Threaded Top guided Valve (Rising Stem / Non Rising Stem)
	PRESSURE RATING	ANSI 150 ~ 600
	NOMINAL SIZE (Inches)	1½", 2", 2½", 3", 4", 6", 8", 10", 12"
	END CONNECTION	<ul style="list-style-type: none"><li>Flanged End (RF, FF &amp; RJ)</li><li>Socket &amp; Butt welded</li></ul>
PERFORMANCE	FLOW CHARACTERISTICS	<ul style="list-style-type: none"><li>Linear</li><li>Equal percentage</li><li>On-OFF</li></ul>
	LEAKAGE AT FULL CLOSURE(% OF CV) As Per ANSI B16.104	Class IV (0.01% or less) Metallic Seat Class VI (0.00001%) Soft Seat
MATERIAL	BODY	<ul style="list-style-type: none"><li>ASTM A 216 WCB (Carbon steel)</li><li>ASTM A 217 WC6 (Alloy steel)</li><li>ASTM A 351 CF8/CF8M (SS)</li><li>Other Materials against Specific Request</li></ul>
	TRIM	<ul style="list-style-type: none"><li>SS 304 / SS 316 / SS 304 L</li><li>MONEL / HASTALLOY</li><li>SS 440 C</li><li>Other Materials against Specific Request</li></ul>
	PACKING	<ul style="list-style-type: none"><li>GRAPHOIL / TEFLON</li></ul>
	GASKET	<ul style="list-style-type: none"><li>SS 316 Serrated</li></ul>



### Contact:

Kanjikode West, Palakkad- 678 623

Phone: 0491- 2566127-130,2566133,2567128-129

E-Mail: commercial@ilpgt.com, contact@ilpgt.com, Web: www.ilpgt.com