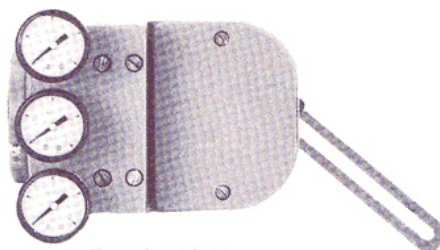


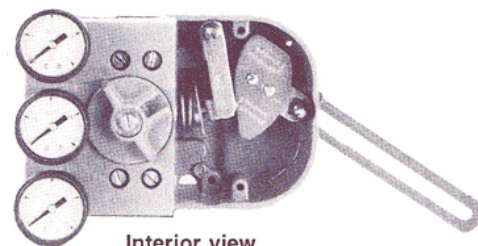


INSTRUMENTATION LTD., PALAKKAD

Single acting valve positioner HTP



Exterior view



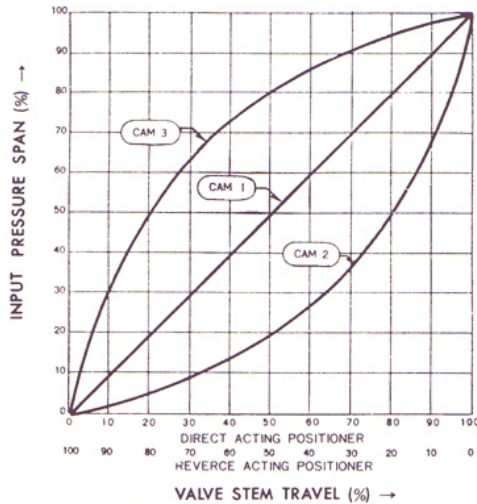
Interior view

Model HTP pneumatic valve positioner provides improvement of dynamic and static characteristics of control valve and satisfies many requirements referring to such process needs as split range action of actuator, changing from direct to reverse action and characteristic change.

S P E C I F I C A T I O N S

Type :	With pressure gage and by pass (Standard) With pressure gage Without pressure gage and by pass
Housing material :	Aluminium alloy casting
Finish	Acryl baking finish
Colour of finish :	Dark beige (Smooth tone finish)
Input :	0.2 ~ 1.0 kgf/cm ² (Standard) 0.2 ~ 0.6, 0.6 ~ 1.0, 0.4 ~ 2.0 kgf/cm ² (Optional)
Supply air pressure :	1.4 ~ 2.8 kgf/cm ² (Standard) 3.5 kgf/cm ² (Maximum)
Air consumption :	7Nl/min. or under (Normal state, supply air pressure 1.4 kgf/cm ²)
Maximum capacity of air flow :	200Nl/min. (Supply air pressure 1.4 kgf/cm ²)
Pneumatic tubing connection :	NPT ¼ tap thread
Ambient temperature :	-25 ~ ±60C
Accuracy :	+ 1% FS
Dead band :	Within 0.1 % FS
Stroke adjustable range :	12 ~ 100 mm. 6 ~ 12 mm is also available.
Stroke speed (max.) :	10 mm/sec. (When with model VA 1 actuator.)
Net weight :	2.8 kg (Standard model)

C A M C H A R A C T E R I S T I C S



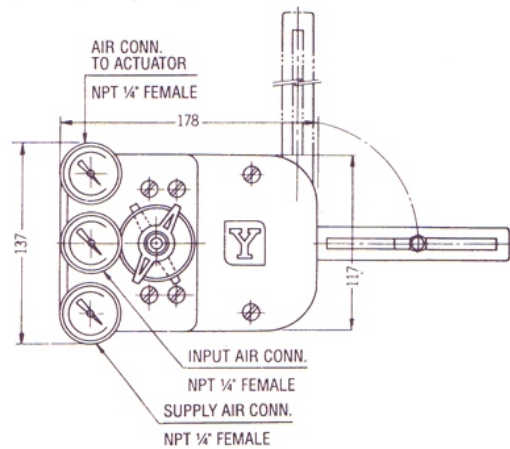
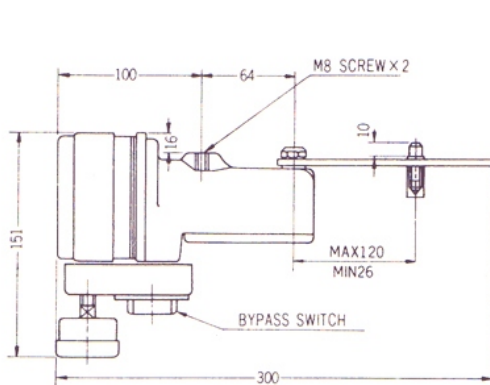
Linear (cam 1, standard) and two other kinds. By selecting the other two cams, valve characteristics can be approximated as follows :

- (1) For reverse acting valve
- Cam 2 {
 - ▶ Linear characteristic valve plug → Quick opening characteristic
 - ▶ Equal percentage characteristic valve plug → Linear characteristic
 - Cam 3 {
 - ▶ Linear characteristic valve plug → Equal percentage characteristic
 - ▶ Quick opening valve plug → Linear characteristic

(2) For direct acting valve

The effect of cams 2 and 3 applied to direct action valves is reversed as compared with the case of reverse action valves.

D I M E N S I O N S



O R D E R I N G I N F O R M A T I O N

When ordering, please specify :

1. Model No.
2. Input
3. Supply air pressure
4. Cam characteristic
5. Actuator model no. and stroke, etc.



Instrumentation Ltd.

(A Govt. of India Enterprise)
Kanjikode West, Palakkad, Kerala-678 623. Phone - (0491) 566127 to 566130, 567128, 567129, 566227, 566133 Fax - (0491) 566135, 566240,
Grams - PALINST. Telex - 0852-260 ILP IN



ISO 9001
APPROVED BY
IRQS



A DEPARTMENT OF
INDIAN REGISTER OF
SHIPPING

ACCREDITED BY
DUTCH COUNCIL FOR
CERTIFICATION

REGD. OFFICE

BRANCH OFFICES

Kota - 324 005 (Rajasthan)
Phone (0744) 424591
(8 Lines), 427394
(4 lines), 423381 (5 Lines)
Telex - 0305 -203, 227
Fax - (744) 424322,
422505, 425510

DELHI
Core No. 6, 7th Floor,
SCOPE Complex,
7 Institutional Area,
Lodhi Road, New Delhi-110 003,
Phone - (011) 4360101,
4360882, 4361014, 4364605
Telex - 031- 63272 ILD IN
Fax - (011) 4360905

MUMBAI
Shriniketan Bldg.,
'F' Shivsagar Estate,
Dr. Annie Besant Road,
Worli, Mumbai-400 018,
Phone : (022) , 4964547
(5 Lines), 4933438
Telex - 011-73675
Fax: (022) 4950419

CALCUTTA
Kohinoor Building, 105
Park Street,
Calcutta-700 016,
Phone - (033) 2263101,
2263105, 2263778,
2267493
Telex: 021-5869
Fax - (226) 3104

CHENNAI
13, 5th Cross Street, United
India Colony, Kodambakkam,
Chennai-600 024
Phone - (044) 4816166,
4819207, 4819225,
Telex : 041-25143
Fax : (044) 4819208
Grams : PROCINST