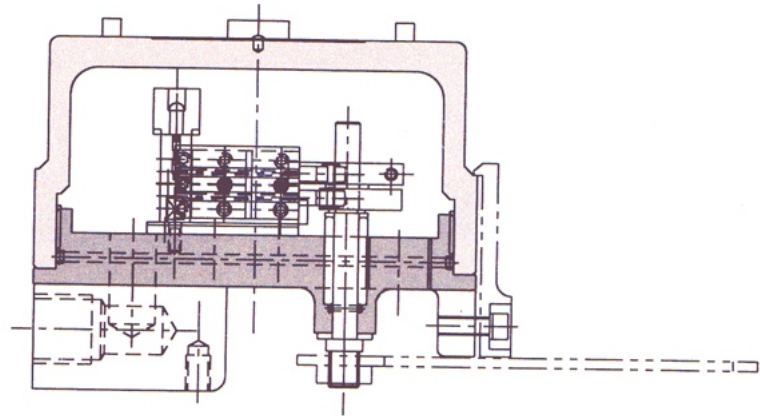




**INSTRUMENTATION LTD.,  
PALAKKAD**

**Universal  
Limit Switch  
Assembly  
ULA - 003 EX**



ULA - 003 EX, is exclusively designed for use in potentially explosive and highly inflammable atmosphere. It employs a "CAM", shaft and lever assembly to transfer angular input / linear travel into an electrically make/break arrangement for position feedback at any specific point of the total stroke / travel. The O-Ring sealing in the body and on the shaft gives total sealing against dust and moisture entry.

**Features**

1. Easy to install with just two M8 screws.
2. Built - in terminal connectors.
3. **DPDT / 2NO + 2NC switches upto 2nos.** can be mounted.
4. Cast Aluminium housing with direct cable entry,
5. EXPLOSION PROOF TO GROUP IIC, Prototype certificate as per IS:2148 - 1981 Vide CMRI/TC/H529 dt. 7.4.97 for Flame proof testing and CMRI/TCH530 dt. 7.4.97 for Incendivity testing. However each unit has to be tested batch - wise at 'CMRI' Dhanbad and Certificate with respect to the serial no. will accompany the equipment.

**S P E C I F I C A T I O N S**

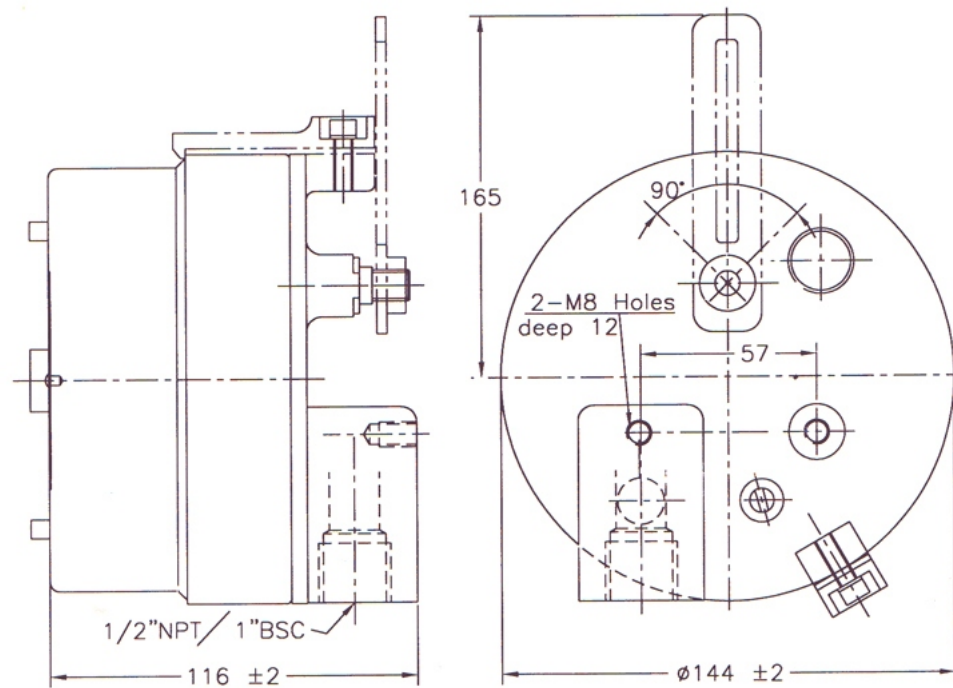
Rotary Travel	90° (Max.)
Max. Linear Travel	(a) 4" (100 mm. Max.) with lever (b) with linkages it can be used for higher strokes
Differential Travel	0.6 mm. Max.
Operating frequency	(a) 240 mechanical operations/min.  (b) 20 electrical operations/min.
Max. contact resistance	15 m ohms (initial)
Ambient Temperature	0-80° C
Humidity	Upto 90% RH (Non Condensating)
Insulation Resistance	100 M ohms ( at 500 VDC)

# S W I T C H E S R A T I N G

TYPE OF CONTACTS	VOLTAGE	MAX. LOAD CURRENT	
		Non Inductive	Inductive
1. DPDT	250 VAC	10 A	6 A
	30 VDC	10 A	4 A
	125 VDC	0.5 A	0.05 A
2. 2 NO + 2 NC	250 VAC	10 A	4.5 A
	250 VDC	1 A	0.5 A

Cable Entry :- 1" BSC / ½" NPT (1Port) | Housing Material :- Aluminium Alloy | Weight :- 2.5 Kg

## D I M E N S I O N S O F M O U N T I N G D E T A I L S



## Instrumentation Ltd.

(A Govt. of India Enterprise)

Kanjikode West, Palakkad, Kerala-678 623. Phone - (0491) 566127 to 566130,  
567128, 567129, 566227, 566133 Fax - (0491) 566135, 566240,  
Grams - PALINST. Telex - 0852-260 ILP IN



ISO 9001  
APPROVED BY  
IRQS



A DEPARTMENT OF  
INDIAN REGISTER OF  
SHIPPING

ACCREDITED BY  
DUTCH COUNCIL FOR  
CERTIFICATION

### REGD. OFFICE

### BRANCH OFFICES

Kota - 324 005 (Rajasthan)  
Phone (0744) 424591  
(8 Lines), 427394  
(4 lines), 423381 (5 Lines)  
Telex - 0305-203, 227  
Fax - (744) 424322, 422505,  
425510

**DELHI**  
Core No. 6, 7th Floor,  
SCOPE Complex,  
7 Institutional Area,  
Lodhi Road, New Delhi-110 003,  
Phone - (011) 4360101, 4360882,  
4361014, 4364605  
Telex - 031-63272 ILD IN  
Fax - (011) 4360905

**MUMBAI**  
Shriniketan Bldg.,  
'F' Shivsagar Estate,  
Dr. Annie Besant Road,  
Worli, Mumbai-400 018,  
Phone: (022), 4964547  
(5 Lines), 4933438  
Telex - 011-73675  
Fax: (022) 4950419

**CALCUTTA**  
Kohinoor Building, 105  
Park Street,  
Calcutta-700 016,  
Phone - (033) 2263101,  
2263105, 2263778, 2267493  
Telex: 021-5869  
Fax - (226) 3104

**CHENNAI**  
13, 5th Cross Street, United  
India Colony, Kodambakkam,  
Chennai-600 024  
Phone - (044) 4816166, 4819207,  
4819225,  
Telex: 041-25143  
Fax: (044) 4819208  
Grams: PROCINST